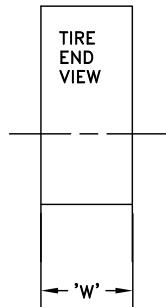
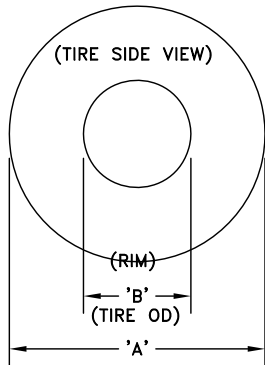


MOHAWK MP-18 SERIES 24 VOLT BATTERY OPERATED MOBILE LIFT DATA SHEET:

TIRE DIMENSIONS

ENTER DIMENSION FOR LARGEST AND SMALLEST TIRES:

	DIM. 'A'	DIM. 'B'	DIM. 'W'	TIRE SIZE
LARGEST				
SMALLEST				



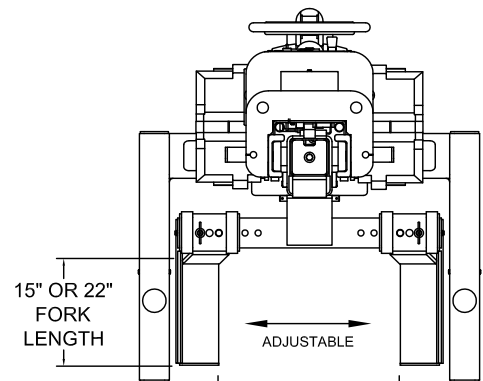
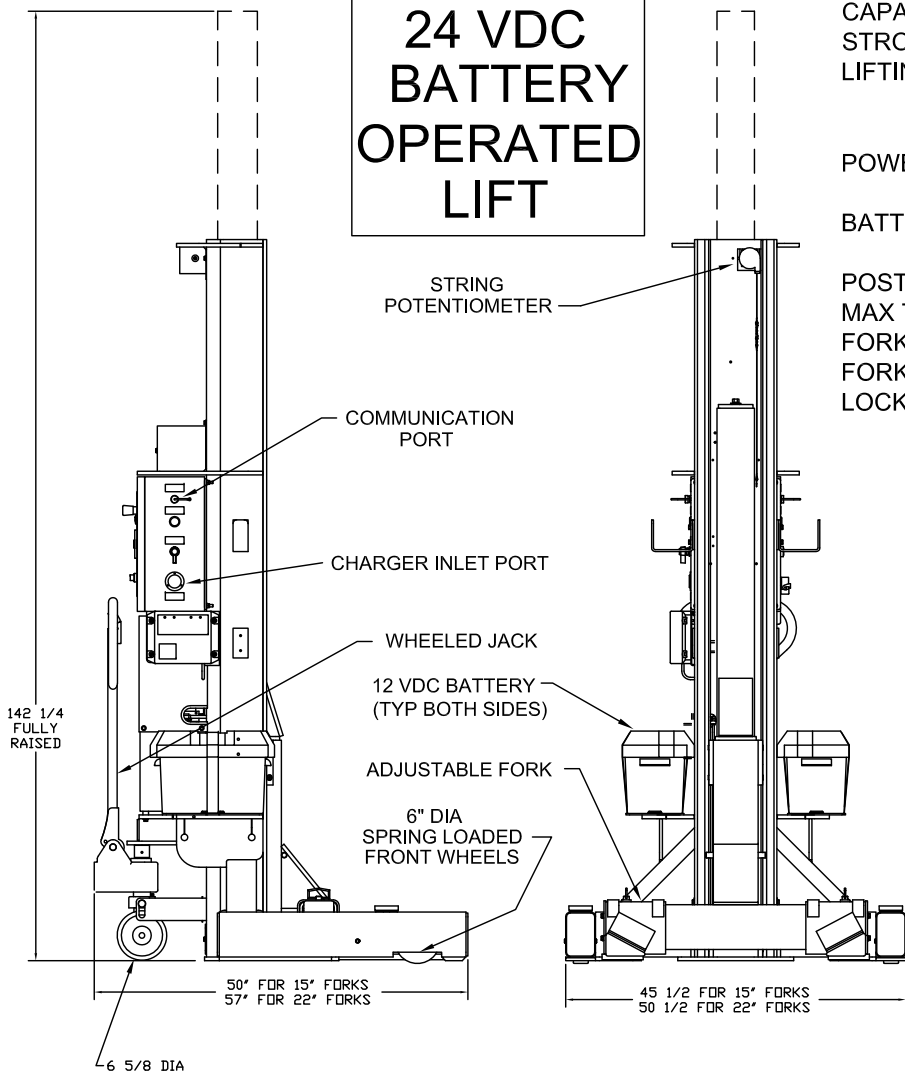
1. SELECT LIFT MODEL BELOW:

MODEL NAME	LIFT CAP (LBS)	FORK LENGTH ON POST							
		1	2	3	4	5	6	7	8
MP-18-505	36,000	15"	15"						
MP-18-513	32,000	22"	22"						
MP-18-506	72,000	15"	15"	15"	15"				
MP-18-530	68,000	15"	15"	22"	22"				
MP-18-514	64,000	22"	22"	22"	22"				
MP-18-507	108,000	15"	15"	15"	15"	15"	15"		
MP-18-558	104,000	15"	15"	15"	15"	22"	22"		
MP-18-559	100,000	15"	15"	22"	22"	22"	22"		
MP-18-515	96,000	22"	22"	22"	22"	22"	22"		
MP-18-508	144,000	15"	15"	15"	15"	15"	15"	15"	15"
MP-18-560	140,000	15"	15"	15"	15"	15"	15"	22"	22"
MP-18-561	136,000	15"	15"	15"	15"	22"	22"	22"	22"
MP-18-562	132,000	15"	15"	22"	22"	22"	22"	22"	22"
MP-18-516	128,000	22"	22"	22"	22"	22"	22"	22"	22"

MP-18 (24 VDC) SERIES POST SPECIFICATIONS:


- CAPACITY: 18,000 LB EACH
- STROKE: 67 INCHES
- LIFTING SPEED: 45 SECONDS EMPTY, 144 SECONDS AT FULL LOAD CAPACITY. LIFT SPEED VARIES WITH WEIGHT.
- POWER REQUIRED: 120 VAC, 4 AMPS PER POST (FOR CHARGER)
- BATTERY SPEC: (2) 12 VDC DEEP CYCLE SEALED - MAINTENANCE FREE
- POST QUANTITY: 2, 4, 6 OR 8
- MAX TIRE SIZE: 48 INCH DIA
- FORK LENGTH: 15 INCH
- FORK WIDTH: 11 1/2 INCH MIN, 24 1/4 INCH MAX
- LOCK POSITIONS: 3" INTERVALS STARTING @ 12"

24 VDC BATTERY OPERATED LIFT



FOR 15" FORKS:
11 1/2 MIN
24 1/4 MAX
FOR 22" FORKS:
9 3/4 MIN
27 1/2 MAX

FORK DETAIL

REV.	DESCRIPTION	DATE	BY	APP'D.
	QUESTION 9 ADDED	3/11	G.GORE	
CUSTOMER NAME:				
CONTACT:				
PHONE NUMBER:				

1. WHAT DOES THE HEAVIEST VEHICLE WEIGH:

LBS

2. WHAT DOES THE HEAVIER END OF THE VEHICLE WEIGH?
(I.E., FORK LIFT COUNTERWEIGHTS, REAR END MOUNTED ENGINES)

LBS

3. OPTIONS INCLUDES: (CHECK ALL THAT APPLY) - (SEE NOTE*)

<input type="checkbox"/>	#MJS-1830-18, JACK STAND, 18,000 LB, 18" TO 30"
<input type="checkbox"/>	#MJS-3047-18, JACK STAND, 18,000 LB, 30" TO 47"
<input type="checkbox"/>	#MJS-4775-18, JACK STAND, 18,000 LB, 47" TO 75"
<input type="checkbox"/>	#MJS-1830-24, JACK STAND, 24,000 LB, 18" TO 30"
<input type="checkbox"/>	#MJS-3047-24, JACK STAND, 24,000 LB, 30" TO 47"
<input type="checkbox"/>	#MJS-4775-24, JACK STAND, 24,000 LB, 47" TO 75"
<input type="checkbox"/>	#TD-1000-M, TIRE DOLLY, 1000 LB CAPACITY, HAND WINCH
<input type="checkbox"/>	#TD-1000-H, TIRE DOLLY, 1000 LB CAPACITY, FOOT PUMP
<input type="checkbox"/>	#TD-1000-A, TIRE DOLLY, 1000 LB CAPACITY, AIR/HYD
<input type="checkbox"/>	CHASSIS CONTACT LIFTING BEAM (FOR 2 POSTS)
<input type="checkbox"/>	FORK TRUCK ADAPTER KIT (FOR 2 POSTS)
<input type="checkbox"/>	AUTO FRAME CONTACT ADAPTER KIT (FOR 2 POSTS)
<input type="checkbox"/>	WING PLOW ADAPTERS (FOR 2 POSTS)
<input type="checkbox"/>	HMMWV (FRONT TO REAR) ADAPTERS (FOR 2 POSTS)
<input type="checkbox"/>	ADDITIONAL COMMUNICATION CABLE (ONE SET OF 30' LG CABLES INCLUDED PER LIFT)
<input type="checkbox"/>	LONGER COMMUNICATION CABLE ___' LG X ___ QTY
<input type="checkbox"/>	ADDITIONAL DUMMY PLUG SET (ONLY ONE SET INCLUDED PER LIFT)
<input type="checkbox"/>	HAND PENDANT CONTROL WITH 25' CORD (NON-ALCTV)
<input type="checkbox"/>	HAND PENDANT CONTROL (CL I, DIV 2) WITH 25' CORD (ALCTV CERTIFIED)
<input type="checkbox"/>	WEIGHT GAUGE (SPECIFY QUANTITY OF COLUMNS)
<input type="checkbox"/>	OTHER:

* NOTE: SOME OPTIONS ARE NOT COMPATIBLE, CONSULT MOHAWK.

4. PROPOSED/REQUESTED DELIVERY DATE: ___/___/___

5. IS THIS FOR A CONSTRUCTION PROJECT: YES NO
 IF NO, CAN THE LIFT SHIP AT ANYTIME? YES NO
 IF YES, WHEN SHOULD MOHAWK VERIFY PRODUCTION TIME?
 DATE: ___/___/___
 CONTACT: _____
 TEL: _____

6. THIS DRAWING HAS BEEN REVIEWED AND FOUND TO BE ACCEPTABLE TO ALL CUSTOMER'S SPECIFICATIONS INDICATED:

MOHAWK REPRESENTATIVE _____ DATE _____

OWNER, GENERAL CONTRACTOR AND/OR ARCHITECT. _____ DATE _____

7. FINAL ELECTRICAL CONNECTION TO LOCAL/NATIONAL CODE IS THE RESPONSIBILITY OF THE ELECTRICAL CONTRACTOR. MORE THAN ONE POINT OF CONNECTION MAY BE REQUIRED. DISCONNECT SWITCHES, MAIN FUSES, AND MAIN POWER LEADS, ETC, ARE NOT PROVIDED BY MOHAWK RESOURCES LTD.

8. AFTER ALL SPECIFICATIONS HAVE BEEN SELECTED AND APPROVED BY CUSTOMER (SIGNED), MAKE COPY FOR CUSTOMER AND RETURN SIGNED FORM TO MOHAWK AT ADDRESS OR FAX BELOW.

9. ARE THESE COLUMNS BEING ADDED TO AN EXISTING SET OF MOBILE COLUMNS ?

YES NO

IF YES, PLEASE LIST MODEL NUMBERS AND SERIAL NUMBERS

MODEL #	SERIAL #



MOHAWK RESOURCES LTD.
 65 VROOMAN AVENUE
 P.O. BOX 110
 AMSTERDAM, NY 12010
 PHN: 1-800-833-2006
 FAX: 1-518-842-1289
 www.mohawklifts.com

MOHAWK MP-18 SERIES 24 VOLT BATTERY OPERATED MOBILE LIFT

FOR SO#: _____

SCALE n/a	DRAWN dak	MOHAWK RESOURCES LTD.		
CHECKED	APPROVED	TITLE MP-18 Series 24VDC Data Verification		
DATE 6/07	WEIGHT n/a LB.	FROM n/a	DRAWING NUMBER ZZ958-01-DC	